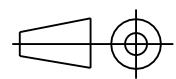
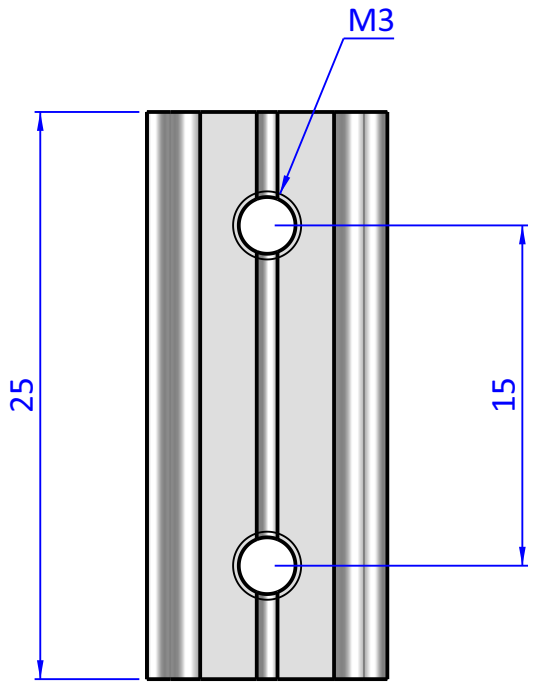
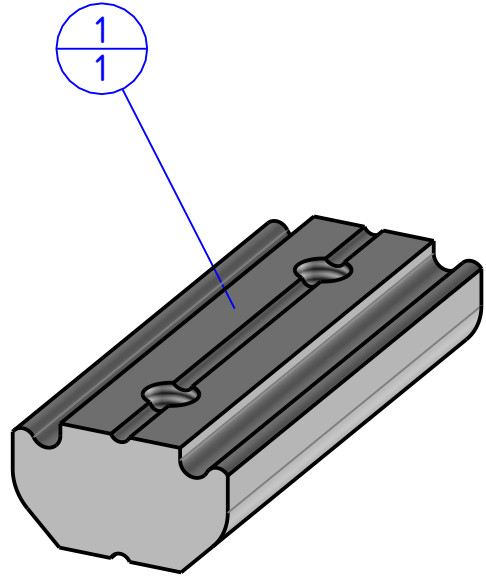
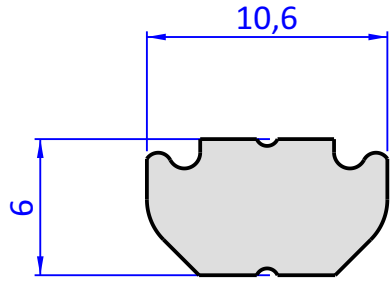


THE PROPERTY OF THE DRAWING IS ESTABLISHED BY LAW. IT IS FORBIDDEN TO PRODUCE OR SHOW IT TO THIRD PART. WITHOUT A WRITTEN AGREEMENT.

Item	Name	Q.ty
1	GWP.3.15	1



DESIGNED FROM	FPS Automation	REVIEW	A
---------------	----------------	--------	---

DATE	31/01/2025	WEIGHT	0,010kg
------	------------	--------	---------

CODE	CA.GWP.3.15
------	-------------

Format A4  
UNI 936-76

GENERAL TOLERANCE  
UNI - ISO 2768  
CLASSE f

DESCRIPTION  
CA.GWP.5.15